

KEYNOTES:

1. LINE OF EXISTING CURB, REMOVED
2. EXISTING CURB TO REMAIN
3. NEW SIDEWALK PAVING, STANDARD SCORING
4. NEW SIDEWALK PAVING, 2' x 2' ENHANCED SCORING
5. LINE OF NEW CURB
6. PLANTED AREA PER LANDSCAPE PLANS
7. STRIPPED CLASS II BICYCLE LANE. ADD ALTERNATE M - FULL COLOR CONCRETE.
8. 4' WIDE CONCRETE BAND
9. BUS SHELTER, SEE DETAIL 1/L405
10. BUS STOP SEATING, SEE DETAIL 1/L405
11. CONCRETE LOW WALL
12. FUTURE ARTWORK LOCATION - SCULPTURE
13. FUTURE ARTWORK LOCATION - PAVING
14. LOW CONC WALL SEE DETAIL 1/L404
15. BENCH
16. 3' X 3' X 20" HT COLORED CONC. PLINTH W/ 2'6" DIA X 2'-6" HT POT
17. NOT USED
18. NOT USED
19. NOT USED
20. 14' TALL GATEWAY MONUMENT. SEE ENVIRONMENTAL GRAPHICS DRAWINGS.
21. NOT USED
22. NOT USED
23. NEW STREET LIGHT
24. ADD ALTERNATE - NEW PEDESTRIAN LIGHT (COMMERCIAL AREA)
25. ADD ALTERNATE - NEW PEDESTRIAN LIGHT (RESIDENTIAL AREA)
26. DIRECTORY SIGN. SEE ENVIRONMENTAL GRAPHICS DRAWINGS.
27. PEDESTRIAN DIRECTIONAL SIGN. SEE ENVIRONMENTAL GRAPHICS DRAWINGS.
28. VEHICULAR DIRECTIONAL SIGN. SEE ENVIRONMENTAL GRAPHICS DRAWINGS.
29. ADD ALTERNATE - BANNER AT LIGHT POLE.
30. ADD ALTERNATE - STREET SIGN. SEE ENVIRONMENTAL GRAPHICS DRAWINGS.
31. ADD ALTERNATE - 1'x 2' CONCRETE PAVERS. SEE ____ FOR DETAIL.
32. PAINTED CROSSWALK. ADD ALTERNATE O - COLORED CONCRETE CROSSWALK.
33. COLORED CONCRETE CROSSWALK TREATMENT.
34. NOT USED
35. NOT USED
36. NOT USED
37. 4'x8' TREE WELL
38. BUS STOP/RELOCATED FROM CURRENT LOCATION
39. LANDSCAPE IMPROVEMENT ON PRIVATE PROPERTY (NOT A PART)
40. 1'x2' VINE POCKET



TEMPLE CITY CALIFORNIA
ROSEMEAD BOULEVARD SAFETY ENHANCEMENTS AND BEAUTIFICATION PROJECT

GRUENASSOCIATES
 ARCHITECTURE PLANNING INTERIORS

6330 San Vicente Blvd, Suite 200 Los Angeles, California 90048
 www.gruenassociates.com T 323 937 4270 F 323 937 6001

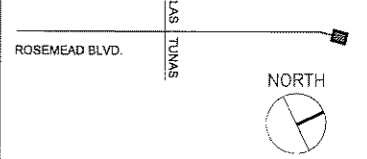
CONSULTANT

ARCHITECT/ENGINEER SEAL

The drawings and specifications, descriptions, and arrangements are the sole property of the Architect. No part thereof shall be copied or used in connection with any work or project other than the specific project for which they have been prepared without the written consent of the Architect. Views shown on these drawings or specifications are the result of a professional opinion and are not a guarantee of performance.

When dimensions on these drawings and specifications are given in feet and inches, the decimal equivalent shall be used in all calculations and measurements on the job and this office may be held responsible for all dimensions and conditions shown on these drawings. Shop details must be submitted to this office for approval before proceeding with fabrication.

© GRUEN ASSOCIATES 2011



IF SHEET IS LESS THAN 22"x34", THIS IS A REDUCED PRINT. REDUCE SCALE ACCORDINGLY.

KEY PLAN

NO.	DATE	ISSUED FOR	BY
10/4/11	60%		
09/12/11	DESIGN DEVELOPMENT #2		
05/20/11	DESIGN DEVELOPMENT		
04/03/11	SCHEMATIC DESIGN		

BASE FILE NAMES	L104.DWG
DRAWN BY	JS
CHECKED BY	SS
SCALE	AS NOTED
DATE	5/20/11
PROJECT NO.	7863

ENLARGED PLAN
CALLITA STREET
GATEWAY

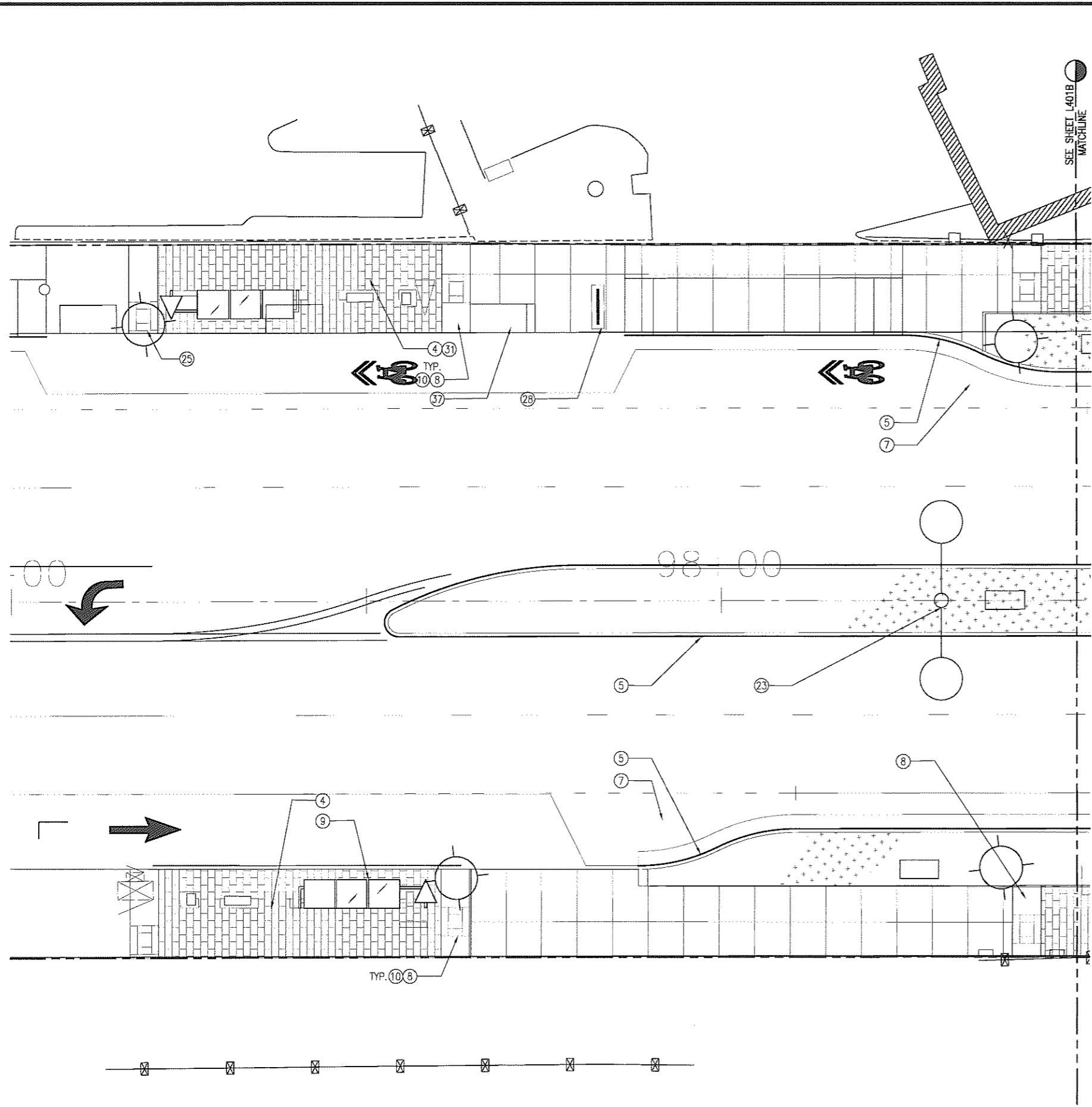
SHEET TITLE

L501

SHEET NO.

1 NORTH HALF OF CALLITA ENTRY
 SCALE: 1/8"=1'-0" XL_PAV_ENLARG.DWG

PROGRESS PRINT - NOT FOR CONSTRUCTION



KEYNOTES:

1. LINE OF EXISTING CURB, REMOVED
2. EXISTING CURB TO REMAIN
3. NEW SIDEWALK PAVING, STANDARD SCORING
4. NEW SIDEWALK PAVING, 2' x 2' ENHANCED SCORING
5. LINE OF NEW CURB
6. PLANTED AREA PER LANDSCAPE PLANS
7. STRIPPED CLASS II BICYCLE LANE. ADD ALTERNATE M - FULL COLOR DURATHERM BICYCLE LANE.
8. 4' WIDE CONCRETE BAND
9. BUS SHELTER, SEE 1/L405
10. 2'-0" XC 2'-0" STAMPED CONCRETE ART PLACE HOLDER
11. NOT USED
12. FUTURE ARTWORK LOCATION - SCULPTURE
13. FUTURE ARTWORK LOCATION - PAVING
14. NOT USED
15. NOT USED
16. NOT USED
17. NOT USED
18. NOT USED
19. NOT USED
20. 14' TALL GATEWAY MONUMENT. SEE ENVIRONMENTAL GRAPHICS DRAWINGS.
21. 25' TALL GATEWAY MONUMENT WITH SPECIALTY PAVING. SEE ENVIRONMENTAL GRAPHICS DRAWINGS.
22. NOT USED
23. NEW STREET LIGHT
24. ADD ALTERNATE - NEW PEDESTRIAN LIGHT (COMMERCIAL AREA)
25. ADD ALTERNATE - NEW PEDESTRIAN LIGHT (RESIDENTIAL AREA)
26. DIRECTORY SIGN. SEE ENVIRONMENTAL GRAPHICS DRAWINGS.
27. PEDESTRIAN DIRECTIONAL SIGN. SEE ENVIRONMENTAL GRAPHICS DRAWINGS.
28. VEHICULAR DIRECTIONAL SIGN. SEE ENVIRONMENTAL GRAPHICS DRAWINGS.
29. ADD ALTERNATE - BANNER AT LIGHT POLE.
30. STREET SIGN. SEE ENVIRONMENTAL GRAPHICS DRAWINGS.
31. ADD ALTERNATE - 1'x 2' CONCRETE PAVERS
32. PAINTED CROSSWALK. ADD ALTERNATE - COLORED CONCRETE CROSSWALK.
33. COLORED CONCRETE CROSSWALK TREATMENT.
34. NOT USED
35. NOT USED
36. NOT USED
37. 4'x8' TREE WELL
38. BUS STOP/RELOCATED FROM CURRENT LOCATION
39. LANDSCAPE IMPROVEMENT ON PRIVATE PROPERTY (NOT A PART)
40. 1'x2' WINE POCKET



TEMPLE CITY CALIFORNIA
ROSEMEAD BOULEVARD SAFETY ENHANCEMENTS AND BEAUTIFICATION PROJECT

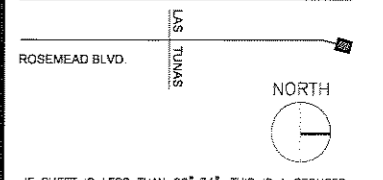
GRUENASSOCIATES
 ARCHITECTURE PLANNING INTERIORS

6530 San Vicente Blvd, Suite 200 Los Angeles, California 90048
 www.gruenassociates.com T 323.937.4270 F 323.937.6001

CONSULTANT

ARCHITECT/ENGINEER SEAL

No drawings and specifications, notes, designs, and arrangements are and shall remain the property of the Architect. No part thereof shall be copied or used in connection with any work or project other than the specific project for which they have been prepared without the written consent of the Architect. Views, sections, and details shown on these drawings are preliminary and subject to change without notice. The contractor shall verify all dimensions and conditions on the job and be responsible for all dimensions and conditions on the job and for any changes, omissions, or additions to the drawings and specifications shown on these drawings. Such data shall be submitted to the office for review before proceeding with fabrication.



IF SHEET IS LESS THAN 22"x34", THIS IS A REDUCED PRINT. REDUCE SCALE ACCORDINGLY.

KEY PLAN

NO.	DATE	ISSUED FOR	BY
10/4/11	60%		
09/12/11	DESIGN DEVELOPMENT #2		
05/20/11	DESIGN DEVELOPMENT		
04/03/11	SCHEMATIC DESIGN		

BASE FILE NAMES	L104.DWG
DRAWN BY	JS
CHECKED BY	SS
SCALE	AS NOTED
DATE	5/20/11
PROJECT NO.	7863

ENLARGED PLAN
CALLITA STREET GATEWAY

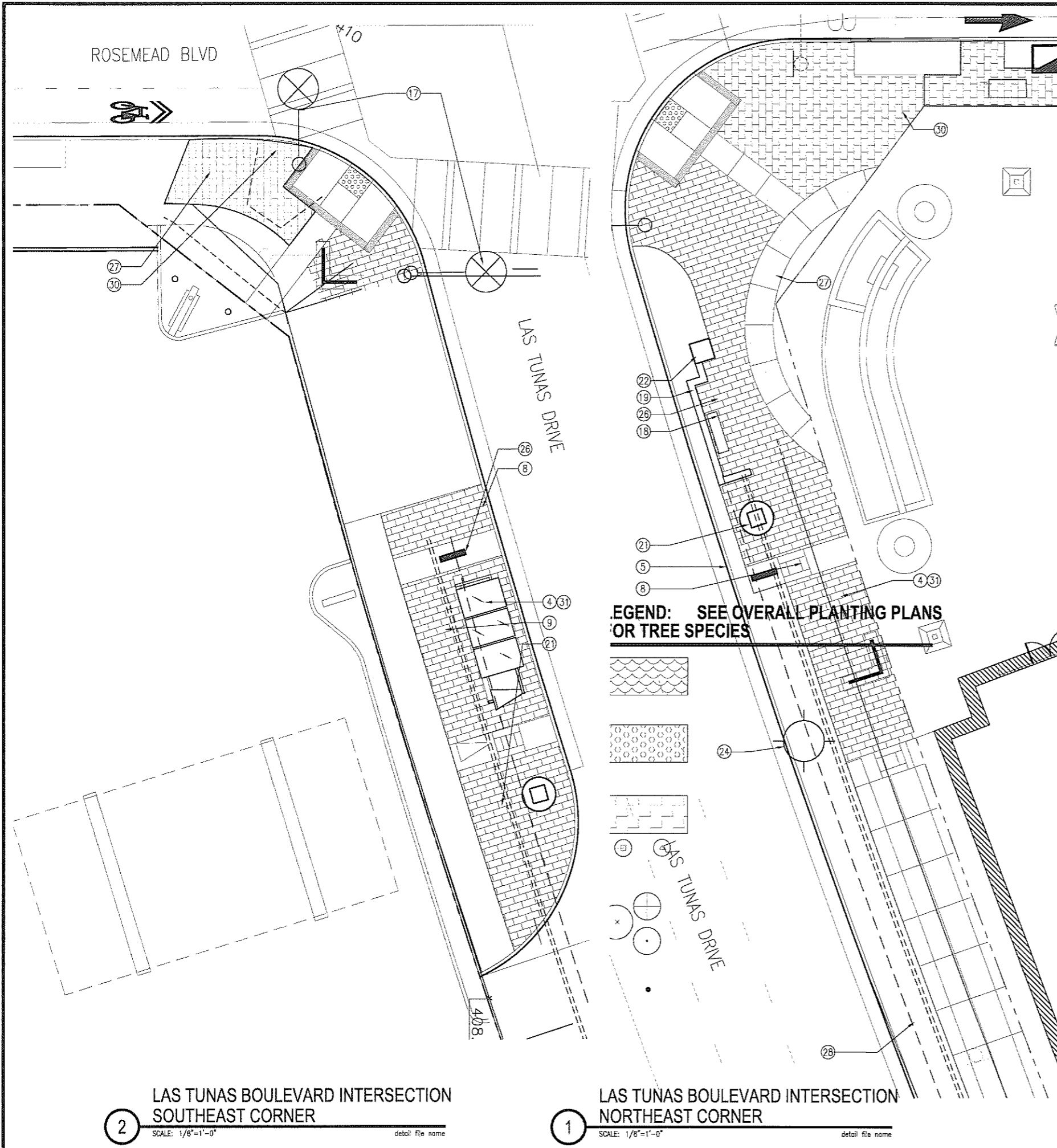
SHEET TITLE

L501B

SHEET NO.

2 SOUTHERN HALF OF CALLITA ENTRY
 SCALE: 1/8"=1'-0" XL_PAV_ENLARG.DWG

PROGRESS PRINT - NOT FOR CONSTRUCTION



KEYNOTES:

1. LINE OF EXISTING CURB, REMOVED
2. EXISTING CURB TO REMAIN
3. NEW SIDEWALK PAVING, STANDARD SCORING
4. NEW SIDEWALK PAVING, 2' x 2' ENHANCED SCORING
5. LINE OF NEW CURB
6. PLANTED AREA PER LANDSCAPE PLANS
7. STRIPPED CLASS II BICYCLE LANE. ADD ALTERNATE M - FULL COLOR DURATHERM BICYCLE LANE.
8. 4" WIDE CONCRETE BAND
9. BUS SHELTER, SEE DETAIL 1/L405
10. BUS STOP SEATING, SEE DETAIL 1/L405
11. SEATING NODE, SEE DETAIL 1/L604
12. FUTURE ARTWORK LOCATION - SCULPTURE
13. FUTURE ARTWORK LOCATION - PAVING
14. SEATING AND TABLES - NIC
15. SCORED CONCRETE INTERSECTION
16. NOT USED
17. NEW TRAFFIC LIGHT SEE TRAFFIC SIGNAL DWGS
18. BENCH
19. 1' X 16" HT COLORED CONC WALL
20. NOT USED
21. 14' TALL GATEWAY MONUMENT WITH SPECIALTY PAVING. SEE ENVIRONMENTAL GRAPHICS DRAWINGS. ADD ALT FOR 25' HIGH MONUMENT
22. 3' X 3' X 20" HT. COLORED CONC PLINTH
23. NEW STREET LIGHT
24. ADD ALTERNATE N1 - NEW PEDESTRIAN LIGHT (COMMERCIAL AREA)
25. ADD ALTERNATE N2 - NEW PEDESTRIAN LIGHT (RESIDENTIAL AREA)
26. DIRECTORY SIGN. SEE ENVIRONMENTAL GRAPHICS DRAWINGS.
27. PEDESTRIAN DIRECTIONAL SIGN. SEE ENVIRONMENTAL GRAPHICS DRAWINGS.
28. VEHICULAR DIRECTIONAL SIGN. SEE ENVIRONMENTAL GRAPHICS DRAWINGS.
29. ADD ALTERNATE - BANNER AT LIGHT POLE.
30. STREET SIGN. SEE ENVIRONMENTAL GRAPHICS DRAWINGS.
31. ADD ALTERNATE - 1' X 2' CONCRETE PAVERS
32. PAINTED CROSSWALK. ADD ALTERNATE - COLORED CONCRETE CROSSWALK.
33. COLORED CONCRETE CROSSWALK TREATMENT.
34. NOT USED
35. NOT USED
36. NOT USED
37. 4'x8' TREE WELL
38. BUS STOP/RELOCATED FROM CURRENT LOCATION
39. LANDSCAPE IMPROVEMENT ON PRIVATE PROPERTY (NOT A PART)
40. 1'x2' VINE POCKET

LEGEND: SEE OVERALL PLANTING PLANS OR TREE SPECIES



TEMPLE CITY CALIFORNIA
ROSEMEAD BOULEVARD SAFETY ENHANCEMENTS AND BEAUTIFICATION PROJECT

GRUENASSOCIATES
 ARCHITECTURE PLANNING INTERIORS

6330 San Vicente Blvd, Suite 200 Los Angeles, California 90048
 www.gruenassociates.com T 323 937 4270 F 323 937 6001

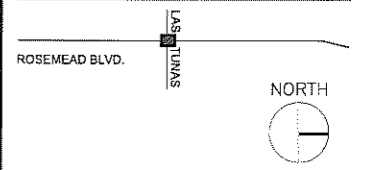
CONSULTANT

ARCHITECT/ENGINEER SEAL

The drawings and specifications, design, and construction are the property of the Architect. No part thereof shall be copied or used in connection with any work or project other than the specific project for which they have been prepared without the written consent of the Architect. Void contract when these drawings or specifications show complete evidence of completion of these drawings.

Written dimensions on these drawings shall have precedence over block dimensions. Fabricator shall verify and be responsible for all dimensions and conditions on the job and the fabricator shall be held responsible for any variations from the dimensions and conditions shown on these drawings. Shop details must be submitted to the office for approval before proceeding with fabrication.

© GRUEN ASSOCIATES 2011



IF SHEET IS LESS THAN 22"x34", THIS IS A REDUCED PRINT. REDUCE SCALE ACCORDINGLY.

KEY PLAN

NO.	DATE	ISSUED FOR	BY
10/4/11	60%		
09/12/11	DESIGN DEVELOPMENT #2		
05/20/11	DESIGN DEVELOPMENT		
04/03/11	SCHEMATIC DESIGN		

BASE FILE NAMES	L104.DWG
DRAWN BY	JS
CHECKED BY	SS
SCALE	AS NOTED
DATE	5/20/11
PROJECT NO.	7863

LAS TUNAS ENLARGEMENT PLAN

SHEET TITLE

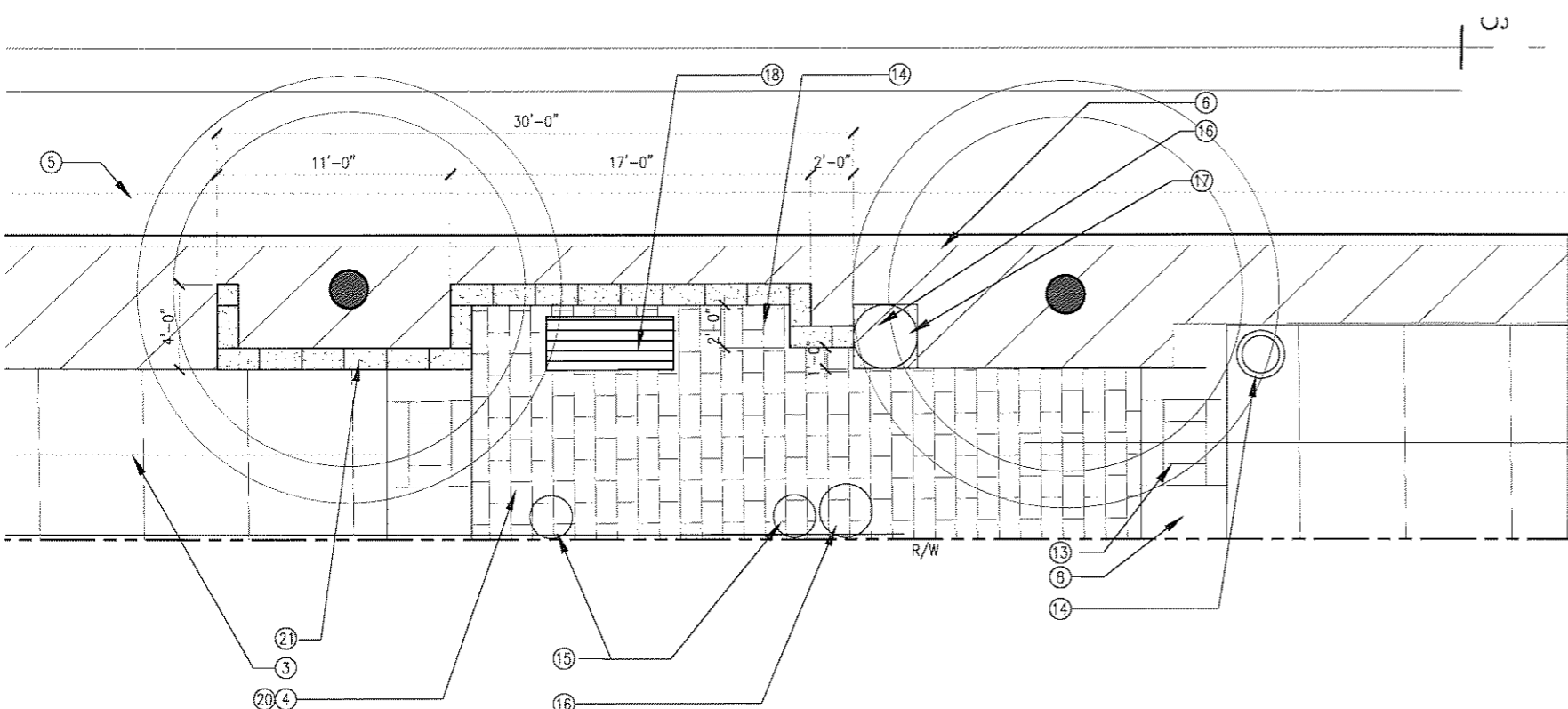
L503

SHEET NO.

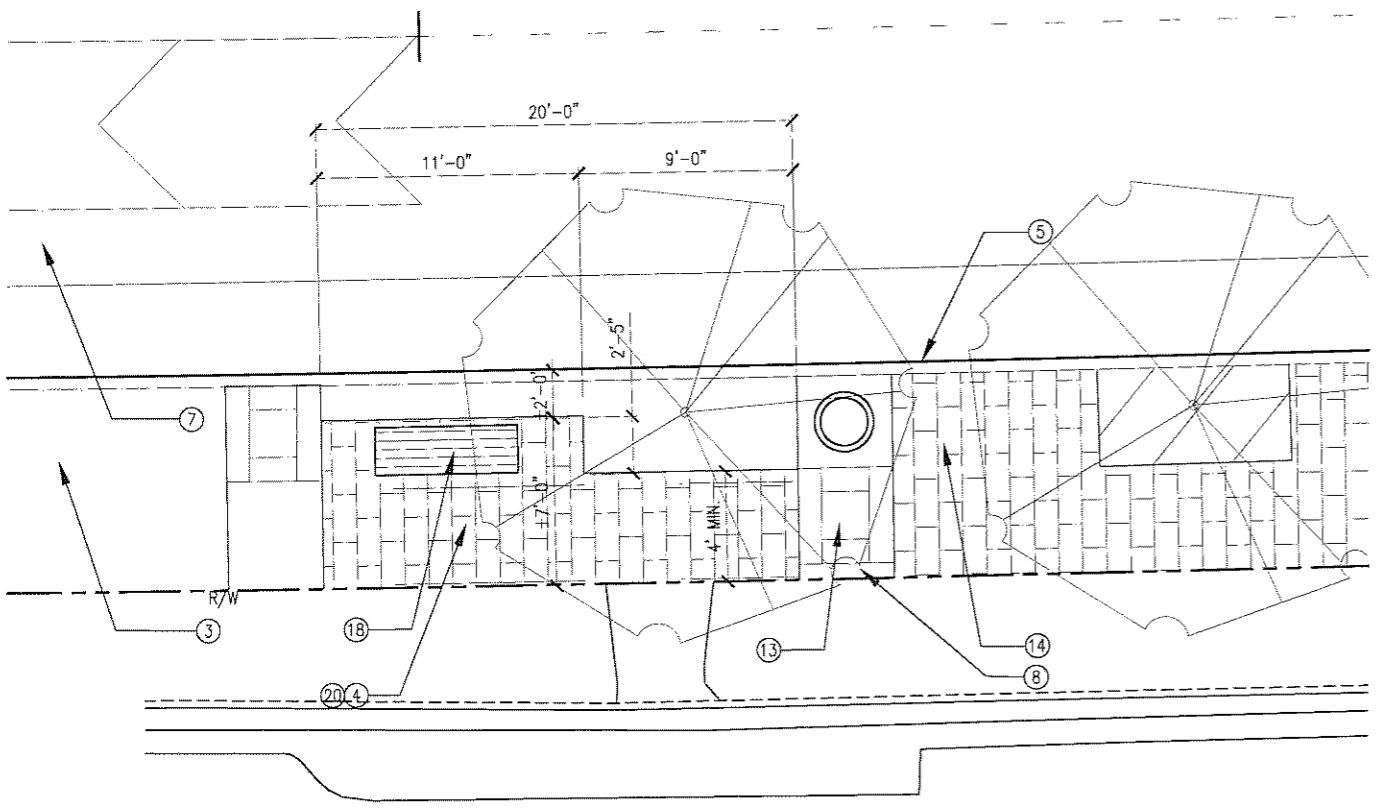
PROGRESS PRINT - NOT FOR CONSTRUCTION

2 LAS TUNAS BOULEVARD INTERSECTION SOUTHEAST CORNER
 SCALE: 1/8"=1'-0" detail file name

1 LAS TUNAS BOULEVARD INTERSECTION NORTHEAST CORNER
 SCALE: 1/8"=1'-0" detail file name



1 TYPICAL MID-BLOCK SEATING NODE - PLAN
SCALE 1/4"=1'-0"



2 TYPICAL MID-BLOCK NARROWED SEATING NODE - PLAN
SCALE 1/4"=1'-0"

KEYNOTES:

1. LINE OF EXISTING CURB
2. EXISTING CURB TO REMAIN
3. NEW SIDEWALK PAVING, STANDARD SCORING
4. NEW SIDEWALK PAVING, 2' x 2' ENHANCED SCORING
5. LINE OF NEW CURB
6. PLANTED AREA PER LANDSCAPE PLANS
7. BICYCLE LANE WITH STRIPING WHERE OCCURS. ADD ALTERNATE - FULL COLOR BICYCLE LANE
8. 4' WIDE CONCRETE BAND
9. PLANTED ISLAND
10. 2' SAFETY STRIPING
11. SEATING NODE, SEE DETAIL 1/L404
12. FUTURE ARTWORK LOCATION - SCULPTURE
13. FUTURE ARTWORK LOCATION - PAVING: 2' SQ. CONCRETE PAVER (ART PLACEHOLDER)
14. 2' DIA. X 40" HT. METAL TRASH CAN
15. 2'-0" DIA. X 2'-0" HT. POT
16. 2'-6" X 2'-6" HT POT
17. 3'-0" X 3'-0" X 20" HT. PLINTH
18. 6" LONG X 2" WIDE METAL BENCH W/ BACK-URBANSCAPE DEWART DE1113C
19. NOT USED
20. ADD ALTERNATE - 1'x 2' CONCRETE PAVERS
21. 1' WIDE X 17 1/2" HT. CMU WALL



TEMPLE CITY
CALIFORNIA
ROSEMEAD BOULEVARD SAFETY
ENHANCEMENTS AND
BEAUTIFICATION PROJECT

GRUENASSOCIATES
ARCHITECTURE PLANNING INTERIORS

6330 San Vicente Blvd, Suite 200 Los Angeles, California 90048
www.gruenassociates.com T 323 937 4270 F 323 937 6001

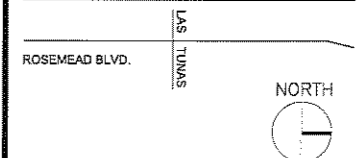
CONSULTANT

ARCHITECT/ENGINEER SEAL

The drawings and specifications, plans, designs, and arrangements are the work of the Architect. No part thereof shall be copied or used in connection with any work or project other than the specific project for which they have been prepared without the written consent of the Architect. Your contract with these drawings or specifications shall constitute evidence of acceptance of these restrictions.

When dimensions on these drawings show, provide over actual dimensions. Contractor shall verify and be responsible for all dimensions and conditions on the job and the office may be notified of any variation from the dimensions and conditions shown by these drawings. Shop details must be submitted to the office for approval before proceeding with fabrication.

© GRUEN ASSOCIATES 2011



IF SHEET IS LESS THAN 22"x34", THIS IS A REDUCED PRINT. REDUCE SCALE ACCORDINGLY.

KEY PLAN

NO.	DATE	ISSUED FOR	BY
	10/4/11	60%	
	09/12/11	DESIGN DEVELOPMENT #2	
	05/20/11	DESIGN DEVELOPMENT	
	04/03/11	SCHEMATIC DESIGN	
BASE FILE NAMES		L104.DWG	
DRAWN BY		JS	
CHECKED BY		SS	
SCALE		AS NOTED	
DATE		5/20/11	
PROJECT NO.		7863	

SEATING NODE
ENLARGEMENTS

SHEET TITLE

L504

SHEET NO.

PROGRESS PRINT - NOT FOR CONSTRUCTION



TEMPLE CITY
CALIFORNIA
ROSEMEAD BOULEVARD SAFETY
ENHANCEMENTS AND
BEAUTIFICATION PROJECT

GRUENASSOCIATES
ARCHITECTURE PLANNING INTERIORS

6330 San Vicente Blvd. Suite 200 Los Angeles, California 90048
www.gruenassociates.com T 323 937 4270 F 323 937 6201

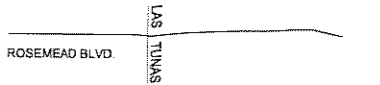
CONSULTANT

ARCHITECT/ENGINEER SEAL

The drawings and specifications, including all amendments are the property of the Architect. No part thereof shall be copied or used in connection with any work or project other than the project's stated for which they have been prepared without the written consent of the Architect. Plans, specifications, drawings or specifications do not constitute evidence of acceptance of these conditions.

Written comments on these drawings will have precedence over second drawings. Contractor shall verify and be responsible for all dimensions and conditions on the job and this office must be notified by the architect from the dimensions and conditions shown by these drawings. This sheet must be submitted to this office for review before proceeding with construction.

© GRUEN ASSOCIATES 2/11



IF SHEET IS LESS THAN 22"x34", THIS IS A REDUCED PRINT. REDUCE SCALE ACCORDINGLY.

KEY PLAN

NO. DATE ISSUED FOR BY

NO.	DATE	ISSUED FOR	BY
	10/4/11	60%	
	09/12/11	DESIGN DEVELOPMENT #2	
	05/20/11	DESIGN DEVELOPMENT	
	04/03/11	SCHEMATIC DESIGN	

BASE FILE NAMES	L101.dwg
DRAWN BY	JS
CHECKED BY	SS
SCALE	AS NOTED
DATE	05/20/11
PROJECT NO.	7863

ENLARGED BUS
SHELTER - PLAN
AND ELEVATIONS

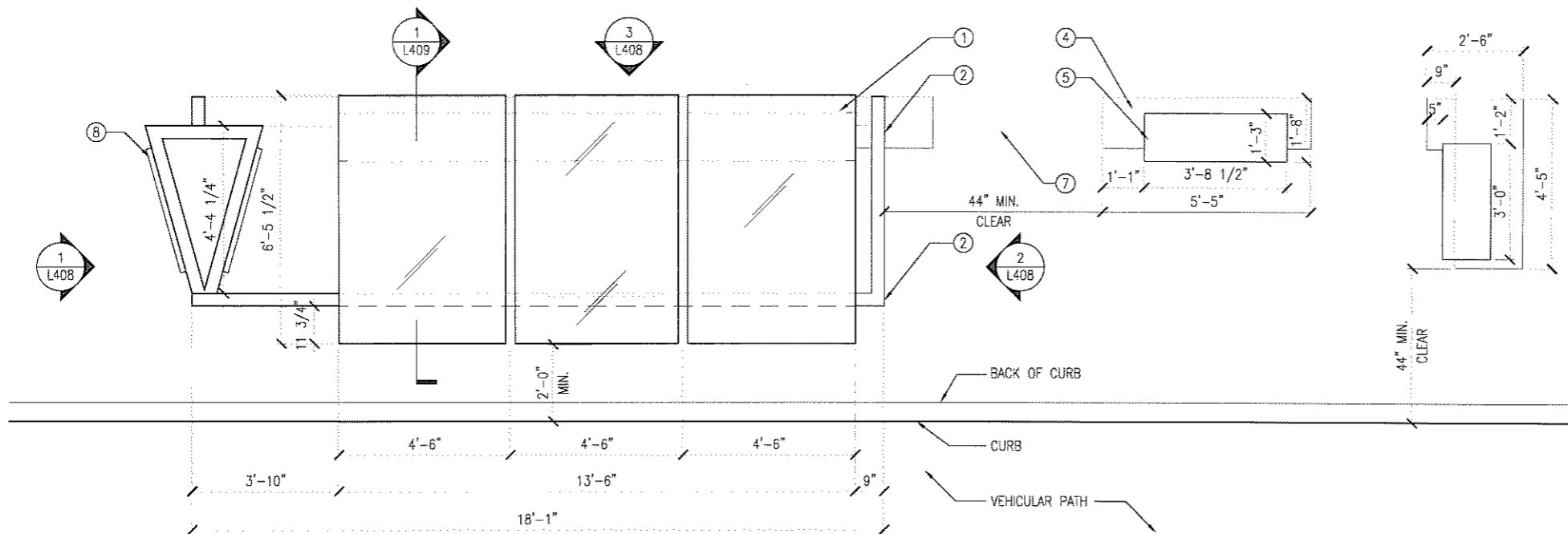
SHEET TITLE

L407

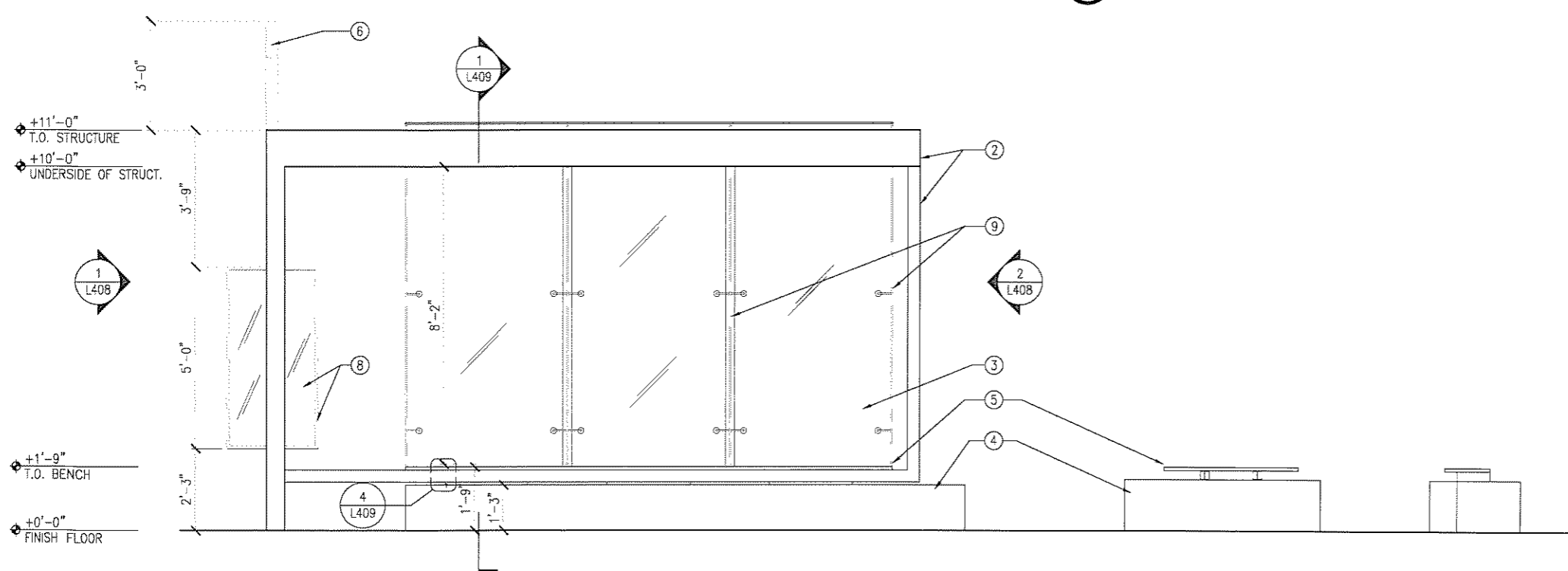
SHEET NO

KEYNOTES:

- 3/8" LAMINATED GLASS WITH WHITE INTERLAYER; ADD ALTERNATE WITH THIN FILM SOLAR INTERLAYER.
- A.E.S.S. WELDED TUBE STEEL FRAME w/ HIGH PERFORMANCE COATED FINISH.
- BACK PANEL 1/4" TEMPERED GLASS w/ CERAMIC FRIT PATTERN w/ ANTI GRAFFITI FILM.
- PRECAST CONCRETE PLINTH GREY w/ SMOOTH TROWEL FINISH.
- ALUMINUM PAINTED SILVER
- SOLAR POWERED LIGHT FIXTURE
- DECOMPOSED GRANITE
- ADVERTISEMENT DISPLAY - LED LIT DISPLAY w/ ALUMINUM FRAME AND VANDAL RESISTANT GLASS WITH SACRIFICIAL LAYER.
- 1/2" x 4" STEEL FIN WITH GLASS CONNECTION

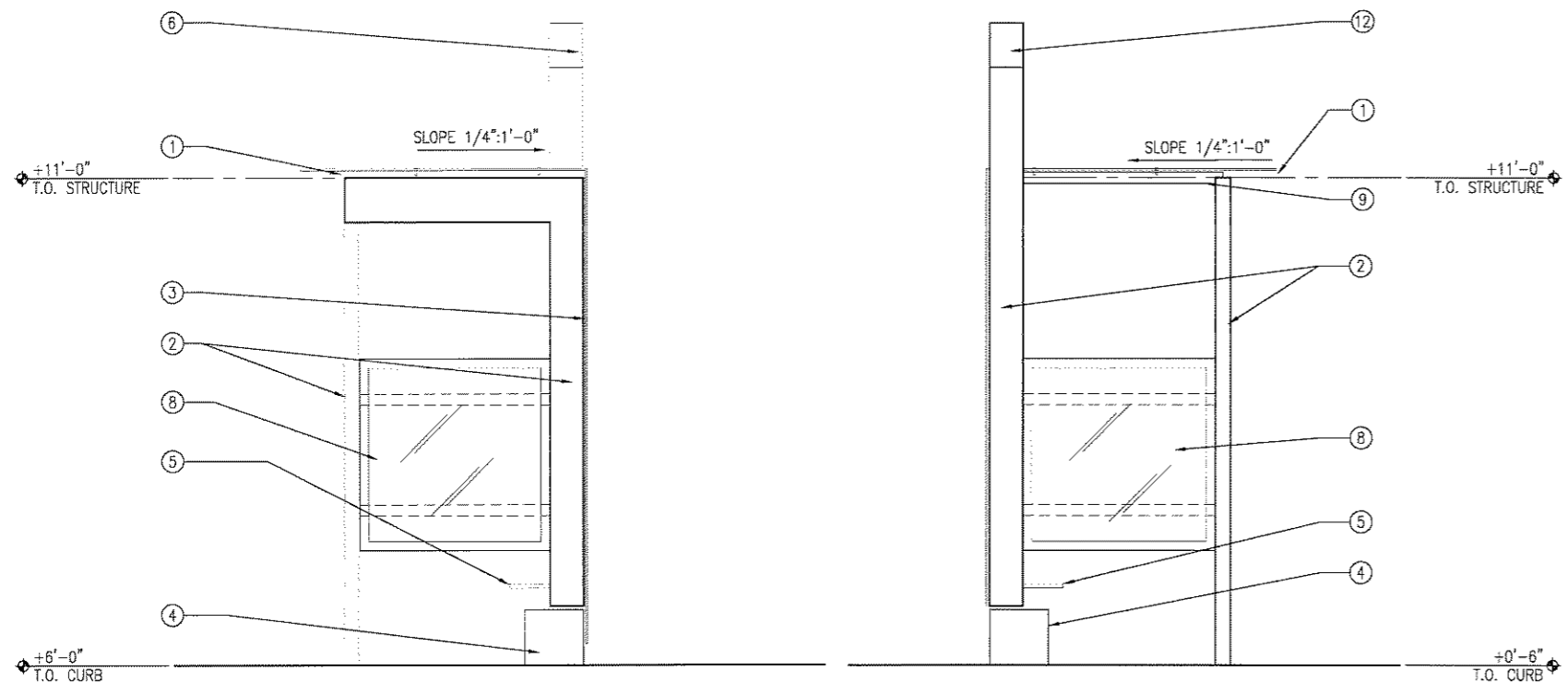


1 PLAN
SCALE: 1/2" = 1'-0"



2 FRONT ELEVATION
SCALE: 1/2" = 1'-0"

PROGRESS PRINT - NOT FOR CONSTRUCTION

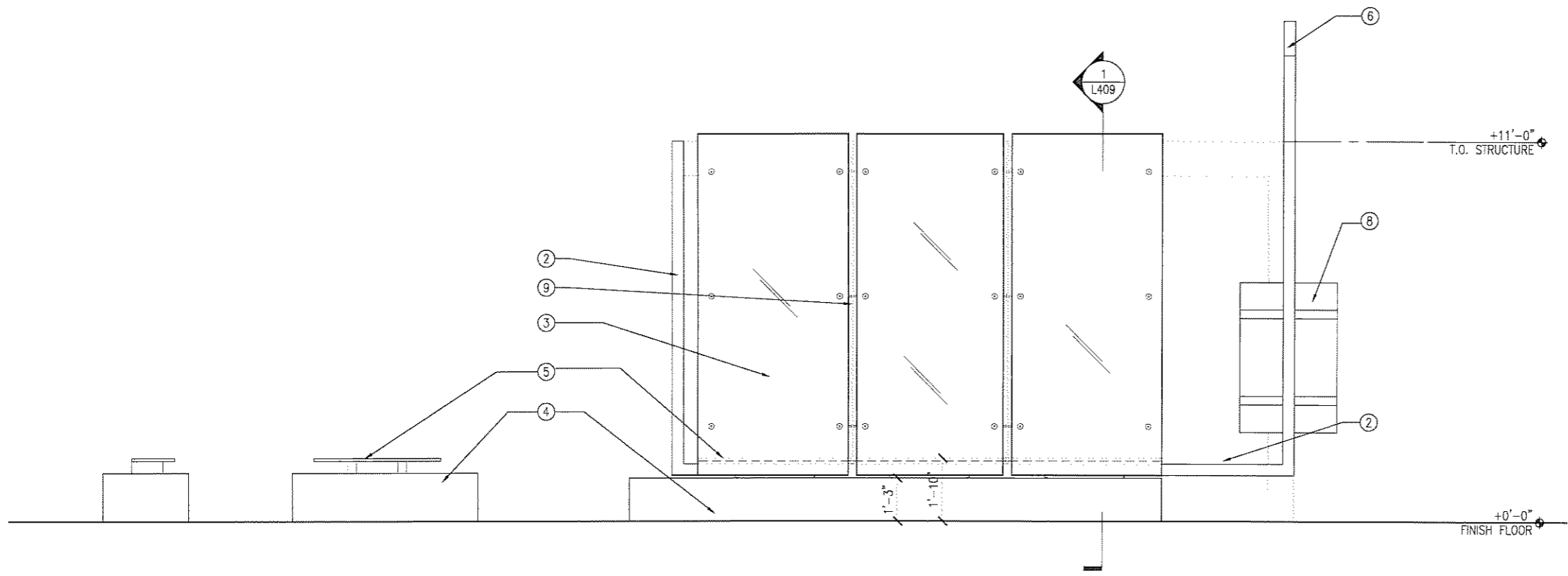


2 RIGHT ELEVATION
SCALE: 1/2" = 1'-0"
xl-bus.dwg

1 LEFT ELEVATION
SCALE: 1/2" = 1'-0"
xl-bus.dwg

KEYNOTES:

1. 3/8" LAMINATED GLASS WITH WHITE INTERLAYER; ADD ALTERNATE WITH THIN FILM SOLAR INTERLAYER.
2. A.E.S.S. WELDED TUBE STEEL FRAME w/ HIGH PERFORMANCE COATED FINISH.
3. BACK PANEL 1/4" TEMPERED GLASS w/ CERAMIC FRIT PATTERN w/ ANTI GRAFFITI FILM.
4. PRECAST CONCRETE PLINTH GREY w/ SMOOTH TROWEL FINISH.
5. ALUMINUM PAINTED SILVER
6. SOLAR POWERED LIGHT FIXTURE
7. DECOMPOSED GRANITE
8. ADVERTISEMENT DISPLAY - LED LIT DISPLAY w/ ALUMINUM FRAME AND VANDAL RESISTANT GLASS WITH SACRIFICIAL LAYER.
9. 1/2" x 4" STEEL FIN WITH GLASS CONNECTION



3 REAR ELEVATION
SCALE: 1/2" = 1'-0"
xl-bus.dwg



TEMPLE CITY
CALIFORNIA
ROSEMEAD BOULEVARD SAFETY
ENHANCEMENTS AND
BEAUTIFICATION PROJECT

GRUEN ASSOCIATES
ARCHITECTURE PLANNING INTERIORS

6330 San Vicente Blvd, Suite 200 Los Angeles, California 90048
www.gruensasociates.com T 323 937 4270 F 323 937 6001

CONSULTANT

ARCHITECT/ENGINEER SEAL

The drawings and specifications, both together and separately, are not to be construed as a contract. No part of these drawings shall be used or copied in connection with any work or project other than the specific project for which they have been prepared without the written consent of the Architect. Plans, sections, elevations, details and specifications are subject to change without notice. The Contractor shall verify and be responsible for all dimensions and conditions shown on these drawings. Shop drawings shall be submitted to the office for review and approval prior to construction.

© GRUEN ASSOCIATES 2011



IF SHEET IS LESS THAN 22"x34", THIS IS A REDUCED PRINT. REDUCE SCALE ACCORDINGLY.

KEY PLAN

NO.	DATE	ISSUED FOR	BY
10/4/11	60%		
09/12/11	DESIGN DEVELOPMENT	#2	
05/20/11	DESIGN DEVELOPMENT		
04/03/11	SCHEMATIC DESIGN		

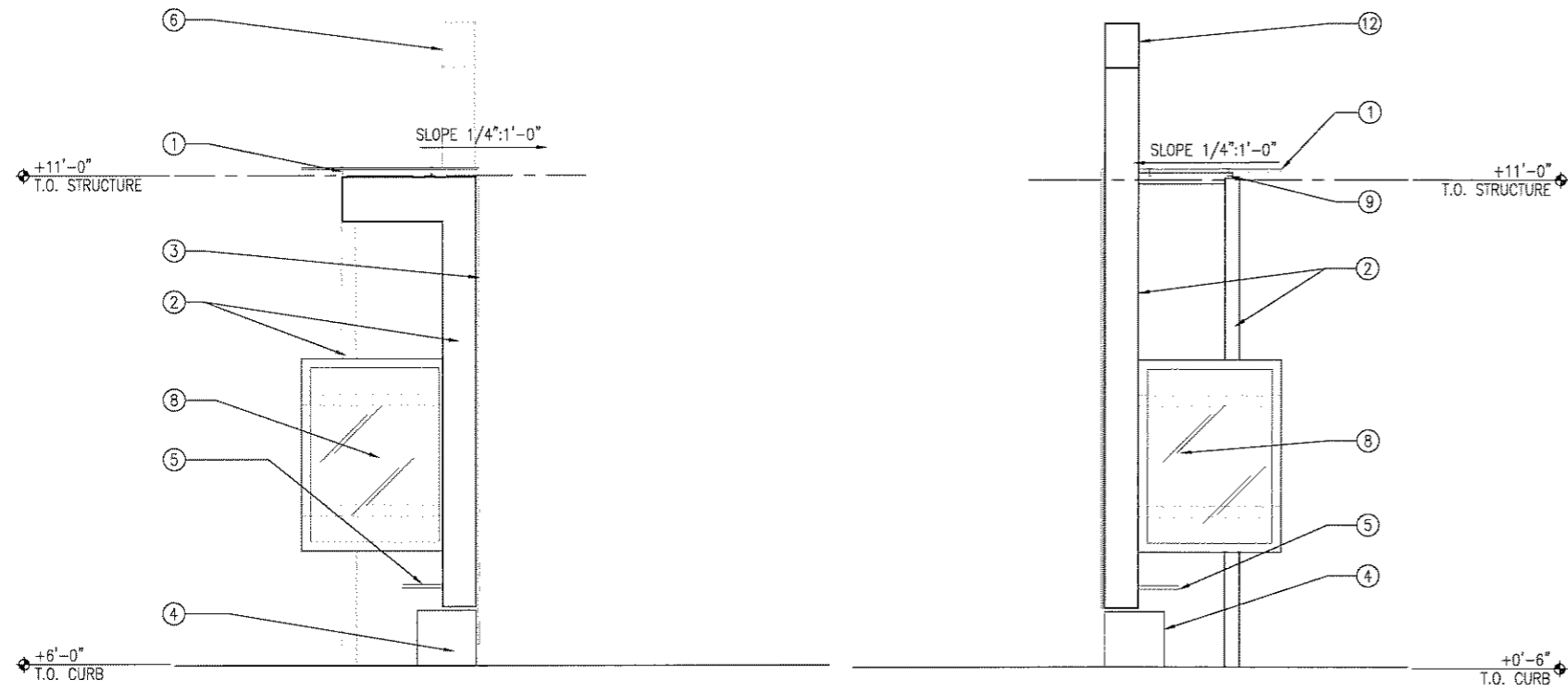
BASE FILE NAMES	L101.dwg
DRAWN BY	JS
CHECKED BY	SS
SCALE	AS NOTED
DATE	05/20/11
PROJECT NO.	7863

ENLARGED BUS SHELTER - ELEVATIONS

SHEET TITLE
L408

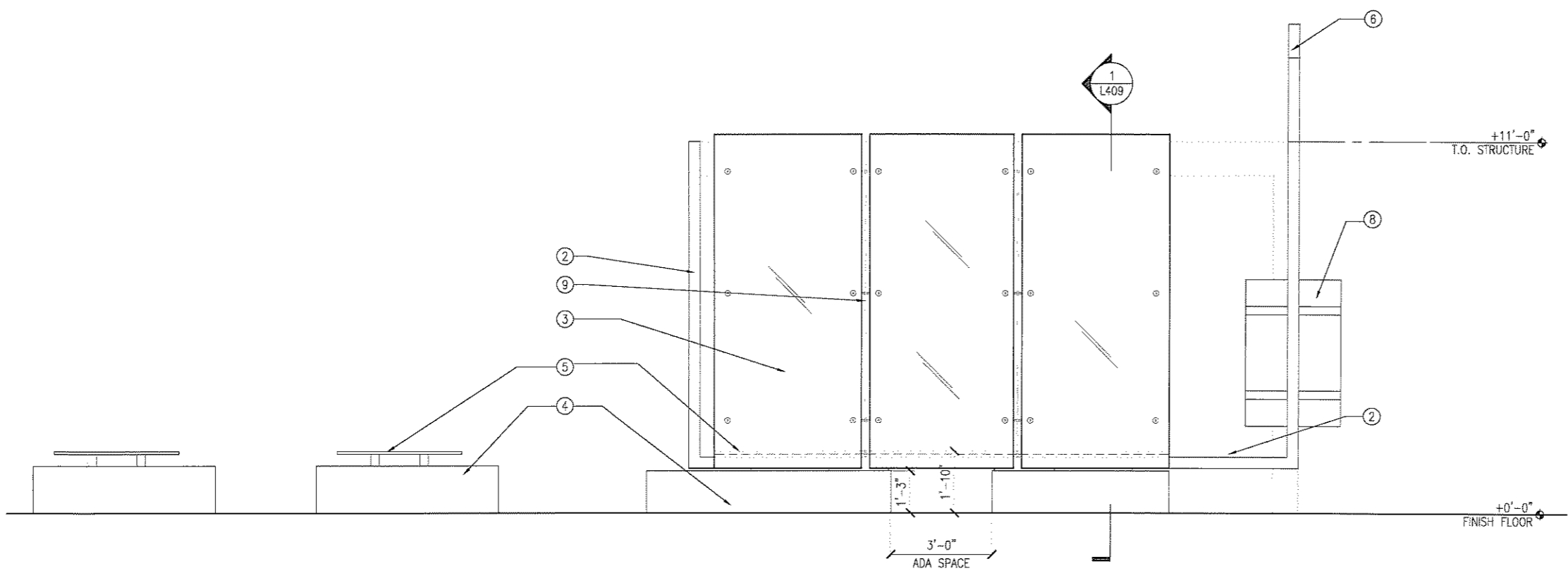
SHEET NO.

PROGRESS PRINT - NOT FOR CONSTRUCTION



2 RIGHT ELEVATION
SCALE: 1/2" = 1'-0"
xl-bus.dwg

1 LEFT ELEVATION
SCALE: 1/2" = 1'-0"
xl-bus.dwg



PROGRESS PRINT - NOT FOR CONSTRUCTION

KEYNOTES:

1. 3/8" LAMINATED GLASS WITH WHITE INTERLAYER.
2. A.E.S.S. WELDED TUBE STEEL FRAME w/ HIGH PERFORMANCE COATED FINISH.
3. BACK PANEL 1/4" TEMPERED GLASS w/ CERAMIC FRIT PATTERN w/ ANTI GRAFFITI FILM.
4. PRECAST CONCRETE PLINTH GREY w/ SMOOTH TROWEL FINISH.
5. ALUMINUM PAINTED SILVER
6. SOLAR POWERED LIGHT FIXTURE
7. DECOMPOSED GRANITE
8. ADVERTISEMENT DISPLAY - LED LIT DISPLAY w/ ALUMINUM FRAME AND VANDAL RESISTANT GLASS WITH SACRIFICIAL LAYER.
9. 1/2" x 4" STEEL FIN WITH GLASS CONNECTION



TEMPLE CITY CALIFORNIA
ROSEMEAD BOULEVARD SAFETY ENHANCEMENTS AND BEAUTIFICATION PROJECT

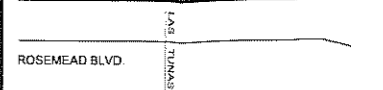
GRUENASSOCIATES
ARCHITECTURE PLANNING INTERIORS

6330 San Vicente Blvd, Suite 200 Los Angeles, California 90048
www.gruenaassociates.com T 323 937 4270 F 323 937 6001

CONSULTANT

ARCHITECT/ENGINEER SEAL

The drawings and specifications, their nature, and arrangements are and shall remain the property of the Architect. No part thereof shall be used or copied in connection with any work or project other than the specific project for which they have been prepared without the written consent of the Architect. No part of any drawing or specification shall constitute evidence of acceptance of these conditions. When dimensions on these drawings are given, they shall govern over all other dimensions. Contractor shall verify and be responsible for all dimensions and conditions on the job and his office must be notified of any variation from the dimensions and conditions shown on these drawings. Shop details shall be submitted to the office for approval before proceeding with fabrication.



IF SHEET IS LESS THAN 22"x34", THIS IS A REDUCED PRINT. REDUCE SCALE ACCORDINGLY.

NO.	DATE	ISSUED FOR	BY
	10/4/11	60%	
	09/12/11	DESIGN DEVELOPMENT #2	
	05/20/11	DESIGN DEVELOPMENT	
	04/03/11	SCHEMATIC DESIGN	

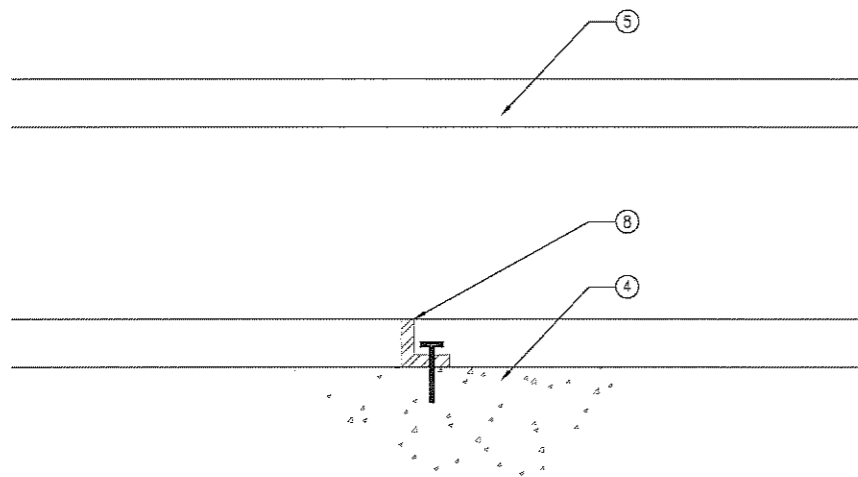
BASE FILE NAMES	L101.dwg
DRAWN BY	JS
CHECKED BY	SS
SCALE	AS NOTED
DATE	05/20/11
PROJECT NO.	7863

ENLARGED NARROW BUS SHELTER - ELEVATIONS

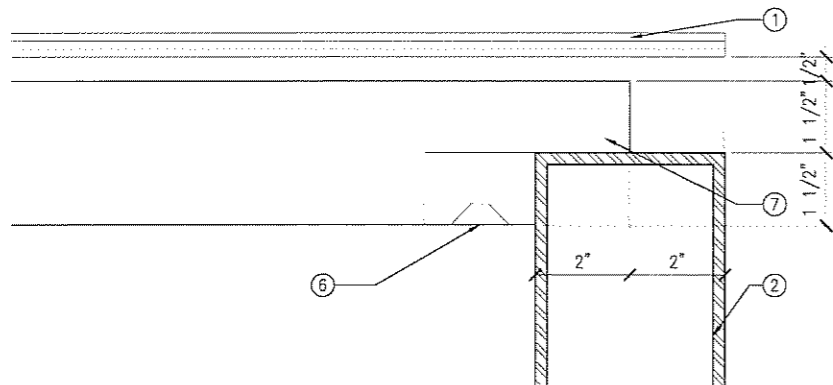
SHEET TITLE

L411

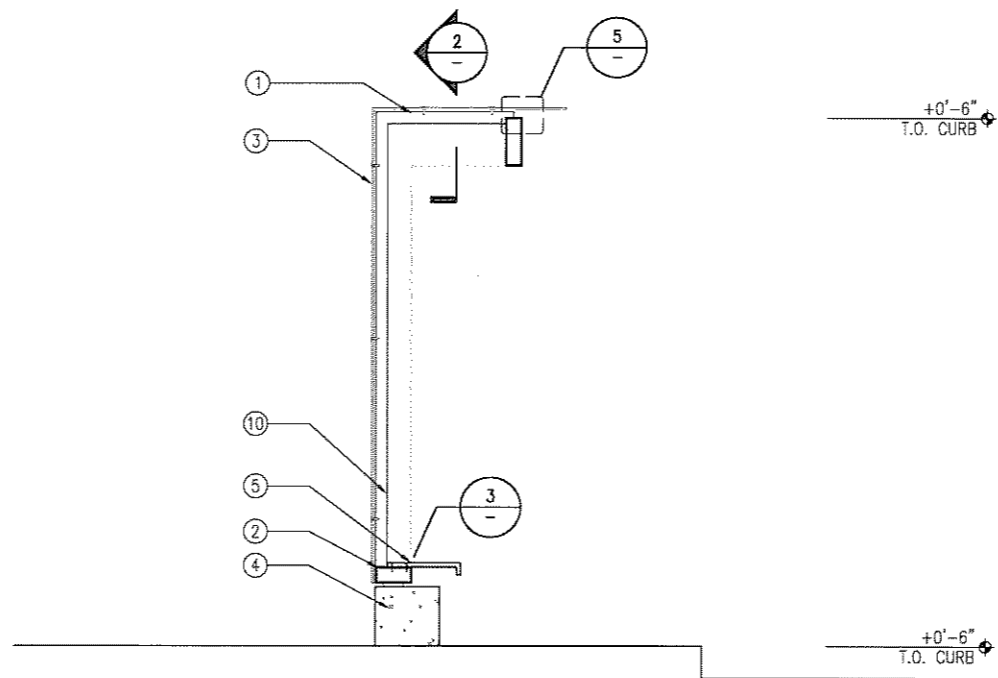
SHEET NO.



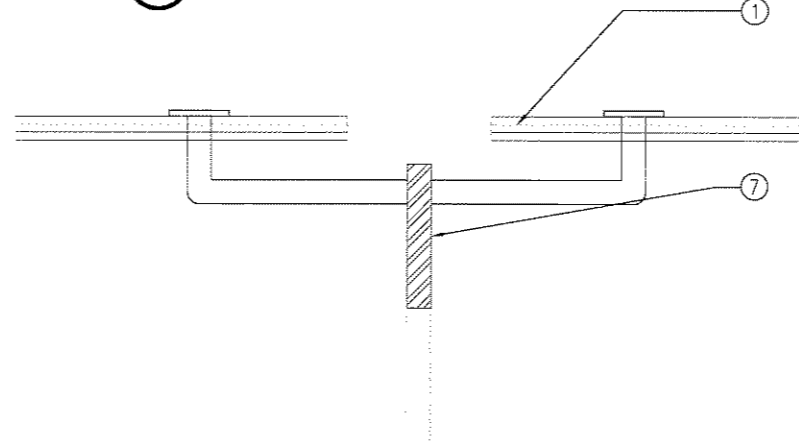
4 ENLARGED BENCH TUBE ELEVATION
SCALE: 6"=1'-0" xl_bus.dwg



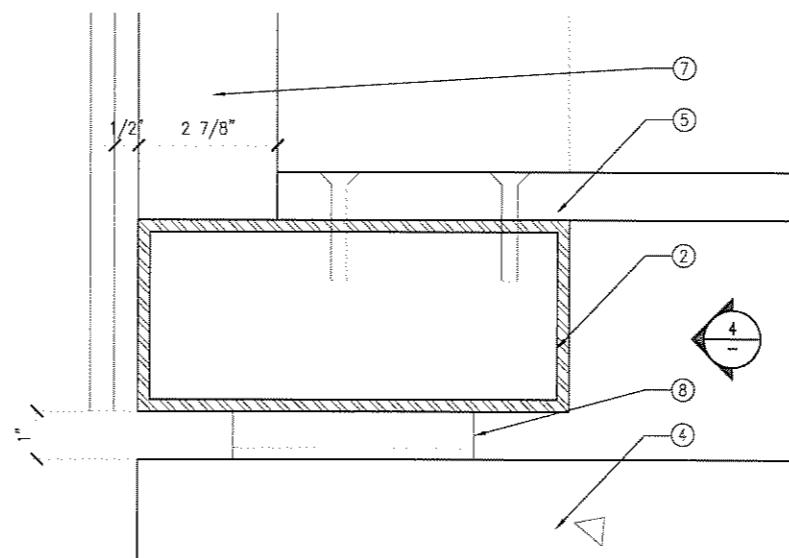
5 ENLARGED BENCH TUBE ELEVATION
SCALE: 6"=1'-0" xl_bus.dwg



1 SECTION
SCALE: 1/2"=1'-0" xl_bus.dwg



2 ENLARGED ROOF CONNECTION
SCALE: 6"=1'-0" xl_bus.dwg



3 ENLARGED BENCH CONNECTION
SCALE: 6"=1'-0" xl_bus.dwg

KEYNOTES:

1. 3/8" LAMINATED GLASS WITH WHITE INTERLAYER.
2. A.E.S.S. WELDED TUBE STEEL FRAME w/ HIGH PERFORMANCE COATED FINISH.
3. BACK PANEL 1/4" TEMPERED GLASS w/ CERAMIC FRIT PATTERN w/ ANTI GRAFFITI FILM.
4. PRECAST CONCRETE PLINTH GREY w/ SMOOTH TROWEL FINISH.
5. ALUMINUM PAINTED SILVER
6. LED STRIP LIGHT UNDERSIDE OF ROOF STRUCTURE
7. 1/2" x 3" STEEL FIN WITH GLASS CONNECTION
8. ANGLE 1/2"x1/2"x5" @ 2'-3" O.C.



TEMPLE CITY
CALIFORNIA
ROSEMEAD BOULEVARD SAFETY ENHANCEMENTS AND BEAUTIFICATION PROJECT

GRUEN ASSOCIATES
ARCHITECTURE PLANNING INTERIORS

6330 San Vicente Blvd, Suite 200 Los Angeles, California 90048
www.gruenaassociates.com T 323 937 4270 F 323 937 6001

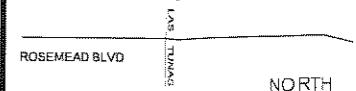
CONSULTANT

ARCHITECT/ENGINEER SEAL

The drawings and specifications, designs, and arrangements are the sole property of the Architect. No part thereof shall be copied or used in connection with any work or project other than the specific project for which they have been prepared without the written consent of the Architect. Where contract or other drawings or specifications and any other evidence of existence of these specifications.

Neither dimensions on these drawings nor have precedence over verbal dimensions. Contractor shall verify and be responsible for all dimensions and conditions on the job and the office must be notified of any variation from the dimensions and conditions shown by these drawings. Shop drawings shall be submitted to the office for approval before proceeding with fabrication.

© GRUEN ASSOCIATES 2011



IF SHEET IS LESS THAN 22"x34", THIS IS A REDUCED PRINT. REDUCE SCALE ACCORDINGLY.

KEY PLAN

NO.	DATE	ISSUED FOR	BY

10/4/11	60%		
09/12/11	DESIGN DEVELOPMENT	#2	
05/20/11	DESIGN DEVELOPMENT		
04/03/11	SCHMATIC DESIGN		

BASE FILE NAMES	L101.dwg
DRAWN BY	JS
CHECKED BY	SS
SCALE	AS NOTED
DATE	05/20/11
PROJECT NO.	7863

BUS SHELTER - SECTION AND ENLARGED DETAILS

SHEET TITLE

L412

SHEET NO.

PROGRESS PRINT - NOT FOR CONSTRUCTION

